



LEFFER

Bohrrohre und Zubehör

Die Bohrrohre eignen sich zur Herstellung von verrohrten Bohrungen bis zu einer Tiefe von 35 m. Insbesondere bei der Pfahlherstellung im Drehbohrverfahren bieten die paßgenauen Rohrverbindungen die Gewähr für ein schnelles Aufsetzen und Verschrauben der Rohre, sowie eine optimale Kraftübertragung.

Casings and Accessories

The casings are designed to perform cased holes down to a depth of 35 m. Especially for the construction of bored piles by rotary drilling rigs the casing joints due to the machining accuracy guarantee a fast placement and bolting of the casings as well as best force transmission.

Tubes de Forage et Accessories

Les tubes se prêtent à la confection de forages tubés jusqu'à 35 m de profondeur. Surtout pour l'exécution de forages tubés en forage rotatif avec tige Kelly les raccords grâce à leur degré de précision assurent la pose et le boulonnage rapide des tubes, de même qu'une transmission de forces optimale.

STAHL- UND APPARATEBAU

HANS **LEFFER** GMBH

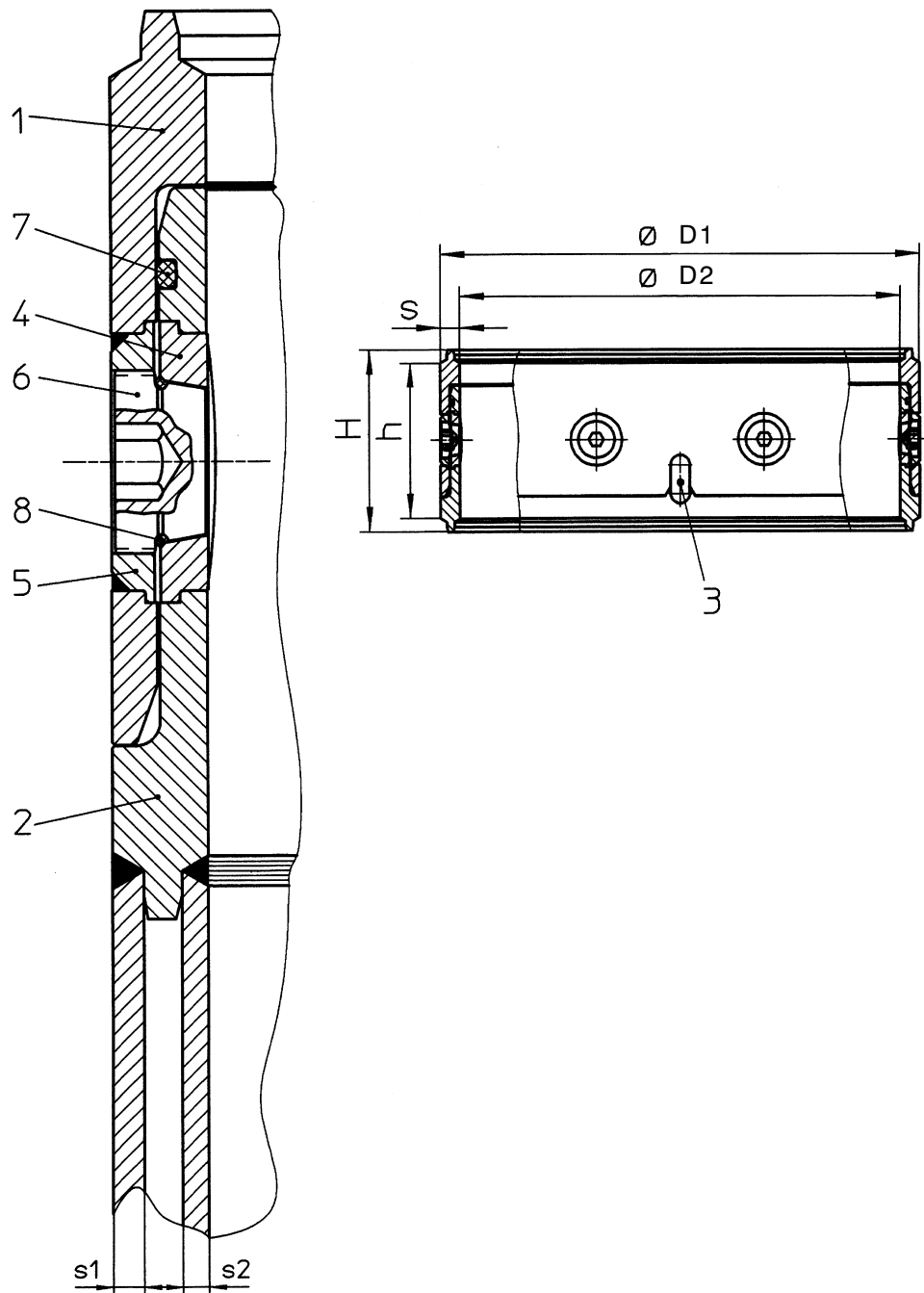
DUDWEILER • PFÄHLERSTRASSE 1 • D-66125 SAARBRÜCKEN • POSTFACH 200360 • D-66044 SAARBRÜCKEN

TELEFON 06897/793-0 • TELEFAX 06897/793330 • eMail: leffer-gmbh@t-online.de

Bohrverbindung Casing Joint Raccord

| D1/D2 | H1 | H2 | S1 | S2 | B | Konusring Conical ring Anneau conique | | Gewinding Threaded ring Anneau fileté | | Schraube Conical bolt Boulon conique | | Keil Locating key Clavette | Dichtung Sealing Joint | Gewicht Weight Poids |
|-----------|-----|-----|----|----|----|---|---------------------|---|---------------------|--|---------------------|----------------------------------|------------------------------|----------------------------|
| [mm] | | | | | | Anzahl Quantity Nombre | Typ Type Type | Anzahl Quantity Nombre | Typ Type Type | Anzahl Quantity Nombre | Typ Type Type | Anzahl Quantity Nombre | [mm] | [kg] |
| 540/478 | 340 | 380 | 10 | 8 | 31 | 6 | K 61 | 6 | G 61 | 6 | 29S | 3 | - | 130 |
| 620/558 | 340 | 380 | 10 | 8 | 31 | 8 | K 61 | 8 | G 61 | 8 | 29S | 4 | - | 150 |
| 600/520 | 340 | 380 | 15 | 10 | 40 | 8 | K 64 | 8 | G 64 | 8 | 38S | 4 | 10 x 510 | 197 |
| 620/540 | 340 | 380 | 15 | 10 | 40 | 8 | K 64 | 8 | G 64 | 8 | 38S | 4 | 10 x 530 | 199 |
| 640/560 | 340 | 380 | 15 | 10 | 40 | 8 | K 64 | 8 | G 64 | 8 | 38S | 4 | 10 x 550 | 205 |
| 660/580 | 340 | 380 | 15 | 10 | 40 | 8 | K 64 | 8 | G 64 | 8 | 38S | 4 | 10 x 550 | 212 |
| 700/620 | 340 | 380 | 15 | 10 | 40 | 8 | K 64 | 8 | G 64 | 8 | 38S | 4 | 10 x 610 | 226 |
| 710/630 | 340 | 380 | 15 | 10 | 40 | 8 | K 64 | 8 | G 64 | 8 | 38S | 4 | 10 x 630 | 230 |
| 720/640 | 340 | 380 | 15 | 10 | 40 | 8 | K 64 | 8 | G 64 | 8 | 38S | 4 | 10 x 630 | 232 |
| 750/670 | 340 | 380 | 15 | 10 | 40 | 10 | K 88 | 10 | G 88 | 10 | 38S | 4 | 10 x 655 | 266 |
| 800/720 | 340 | 380 | 15 | 10 | 40 | 10 | K 88 | 10 | G 88 | 10 | 38S | 4 | 10 x 700 | 286 |
| 880/800 | 340 | 380 | 15 | 10 | 40 | 10 | K 88 | 10 | G 88 | 10 | 38S | 4 | 10 x 785 | 315 |
| 900/820 | 340 | 380 | 15 | 10 | 40 | 10 | K 88 | 10 | G 88 | 10 | 38S | 4 | 10 x 785 | 318 |
| 1000/920 | 340 | 380 | 18 | 10 | 40 | 10 | K 88 | 10 | G 88 | 10 | 38S | 4 | 10 x 900 | 327 |
| 1080/1000 | 340 | 380 | 18 | 10 | 40 | 12 | K 118 | 12 | G 118 | 12 | 38S | 4 | 12 x 975 | 336 |
| 1180/1100 | 340 | 380 | 18 | 10 | 40 | 12 | K 118 | 12 | G 118 | 12 | 38S | 4 | 12 x 1075 | 414 |
| 1200/1120 | 340 | 380 | 18 | 10 | 40 | 12 | K 118 | 12 | G 118 | 12 | 38S | 4 | 12 x 1075 | 418 |
| 1250/1170 | 340 | 380 | 18 | 10 | 40 | 12 | K 118 | 12 | G 118 | 12 | 38S | 4 | 12 x 1145 | 421 |
| 1300/1220 | 340 | 380 | 18 | 10 | 40 | 12 | K 118 | 12 | G 118 | 12 | 38S | 4 | 12 x 1200 | 425 |
| 1500/1420 | 340 | 380 | 18 | 10 | 40 | 18 | K 150 | 18 | G 150 | 18 | 38S | 6 | 12 x 1370 | 535 |
| 1800/1720 | 430 | 470 | 18 | 10 | 40 | 20 | K 150 | 20 | G 150 | 20 | 38S | 5 | 12 x 1670 | 724 |
| 2000/1910 | 385 | 425 | 18 | 12 | 45 | 20 | K 200 | 20 | G 200 | 20 | 43S | 5 | 12 x 1880 | 874 |

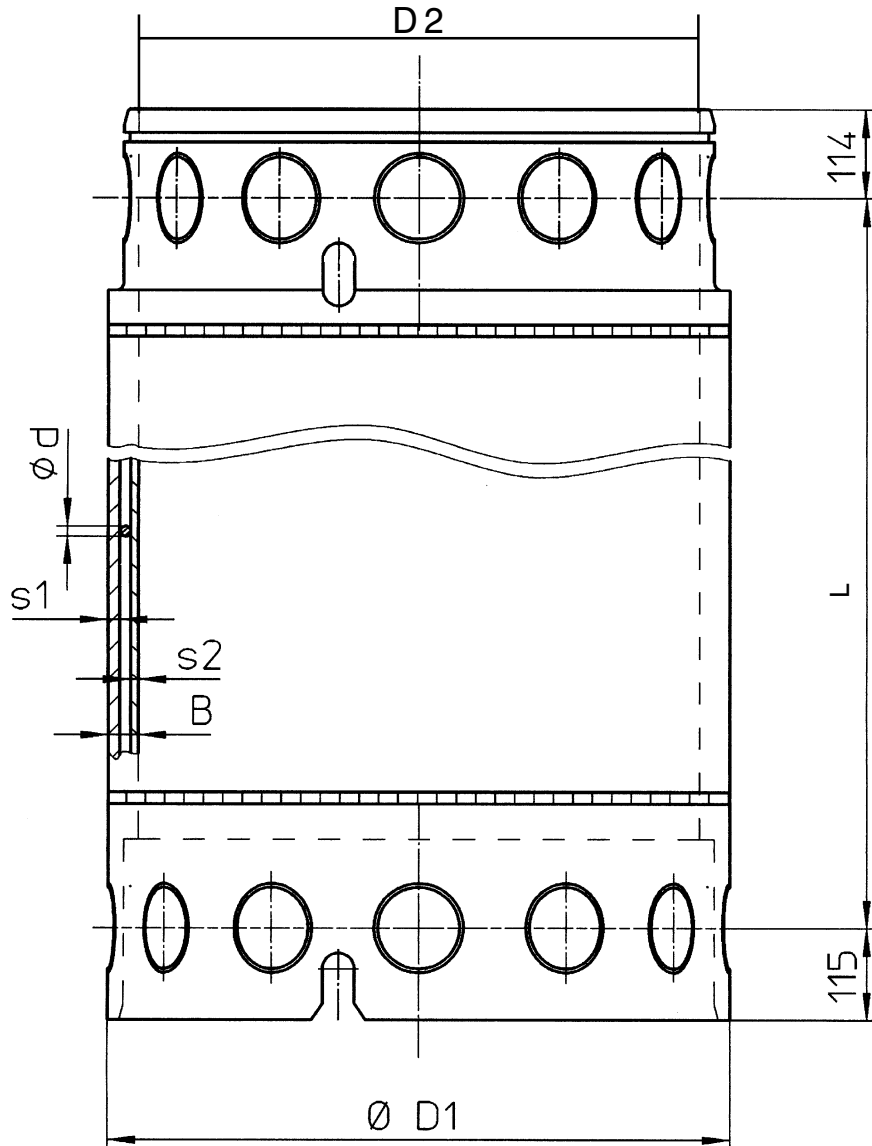
Bohrverbindung
Casing Joint
Raccord



| | | | |
|---|------------|--------------|----------------|
| 1 | Muffenteil | Female Part | Partie femelle |
| 2 | Nippelteil | Male Part | Partie mâle |
| 3 | Keil | Locating Key | Clavette |
| 4 | Konusring | Conical Ring | Anneau conique |

| | | | |
|---|-----------|---------------|---------------|
| 5 | Gewinding | Threaded Ring | Anneau Fileté |
| 6 | Schraube | Bolt | Boulon |
| 7 | Dichtung | Sealing | Joint |
| 8 | O-Ring | O-Ring | Joint torique |

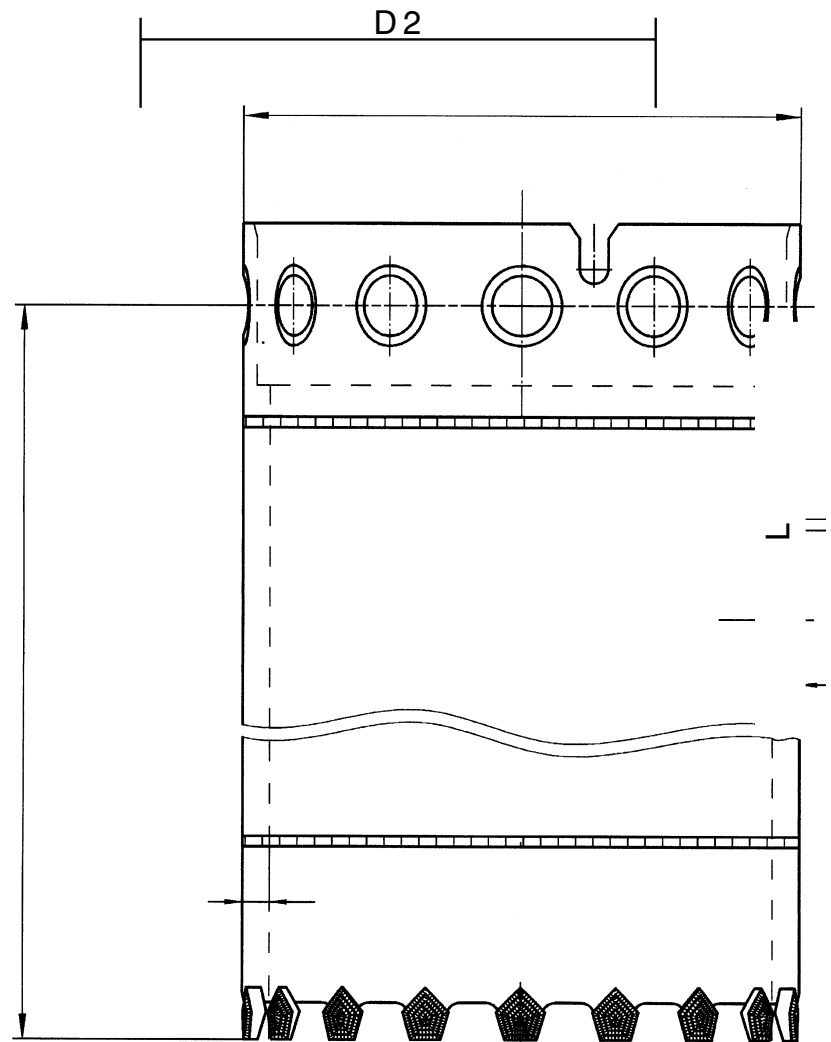
**Bohrrohr
Casing
Tube de forage**



doppelwandig
double walled
à double paroi

| D1/D2 | S1 | S2 | d | B | Z Anzahl der Längsstäbe Quantity of longitudinal bars Nombre de barres longitudinales | L Working length Weight [kg] | | | | | |
|-----------|----|----|----|----|--|------------------------------------|------|-------------------------------|------|-----------------------------|------|
| | | | | | | Nutzlänge Gewicht [kg] | | Working length Weight [kg] | | Longeur utile Poids [kg] | |
| [mm] | | | | | | 1 m | 2 m | 3 m | 4 m | 5 m | 6 m |
| 540/478 | 10 | 8 | 10 | 31 | 16 | 295 | 535 | 770 | 1015 | 1255 | 1495 |
| 620/558 | 10 | 8 | 10 | 31 | 18 | 335 | 610 | 895 | 1185 | 1440 | 1720 |
| 600/520 | 15 | 10 | 13 | 40 | 18 | 440 | 805 | 1170 | 1540 | 1905 | 2270 |
| 620/540 | 15 | 10 | 13 | 40 | 18 | 450 | 830 | 1205 | 1590 | 1970 | 2345 |
| 640/560 | 15 | 10 | 13 | 40 | 18 | 465 | 855 | 1245 | 1640 | 2030 | 2420 |
| 660/580 | 15 | 10 | 13 | 40 | 18 | 480 | 880 | 1285 | 1690 | 2095 | 2495 |
| 700/620 | 15 | 10 | 13 | 40 | 20 | 510 | 940 | 1370 | 1805 | 2230 | 2660 |
| 710/630 | 15 | 10 | 13 | 40 | 21 | 520 | 950 | 1385 | 1820 | 2255 | 2690 |
| 720/640 | 15 | 10 | 13 | 40 | 21 | 530 | 960 | 1410 | 1860 | 2305 | 2755 |
| 750/670 | 15 | 10 | 13 | 40 | 22 | 575 | 1035 | 1495 | 1965 | 2425 | 2890 |
| 800/720 | 15 | 10 | 13 | 40 | 24 | 615 | 1110 | 1600 | 2105 | 2600 | 3095 |
| 880/800 | 15 | 10 | 13 | 40 | 26 | 670 | 1215 | 1760 | 2315 | 2860 | 3405 |
| 900/820 | 15 | 10 | 13 | 40 | 26 | 685 | 1245 | 1805 | 2370 | 2930 | 3485 |
| 1000/920 | 18 | 10 | 10 | 40 | 30 | 780 | 1465 | 2145 | 2840 | 3525 | 4210 |
| 1080/1000 | 18 | 10 | 10 | 40 | 32 | 830 | 1570 | 2310 | 3060 | 3800 | 4540 |
| 1180/1100 | 18 | 10 | 10 | 40 | 36 | 925 | 1740 | 2550 | 3370 | 4185 | 4995 |
| 1200/1120 | 18 | 10 | 10 | 40 | 36 | 965 | 1790 | 2615 | 3440 | 4280 | 5396 |
| 1250/1170 | 18 | 10 | 10 | 40 | 38 | 995 | 1855 | 2715 | 3585 | 4450 | 5410 |
| 1300/1220 | 18 | 10 | 10 | 40 | 40 | 1025 | 1920 | 2810 | 3725 | 4620 | 5520 |
| 1500/1420 | 18 | 10 | 10 | 40 | 45 | 1225 | 2265 | 3300 | 4350 | 5390 | 6430 |
| 1800/1720 | 18 | 10 | 10 | 40 | 55 | 1460 | 2750 | 4040 | 5320 | 6610 | 7900 |
| 2000/1910 | 18 | 12 | 13 | 45 | 62 | 1590 | 3080 | 4570 | 6060 | 7550 | 9050 |

Fußrohr
Bottom casing
Tube d'Emblase



Schneidkronen

(siehe Prospekt „Schneidkronen“)
 abnehmbar mit halber Rohrverbindung
 oder als Vorschweißkrone lieferbar

Cutting shoes

(See catalogue „cutting shoes“)
 can be supplied with half-casing
 connection or as a weld-on type

Sabots tranchants

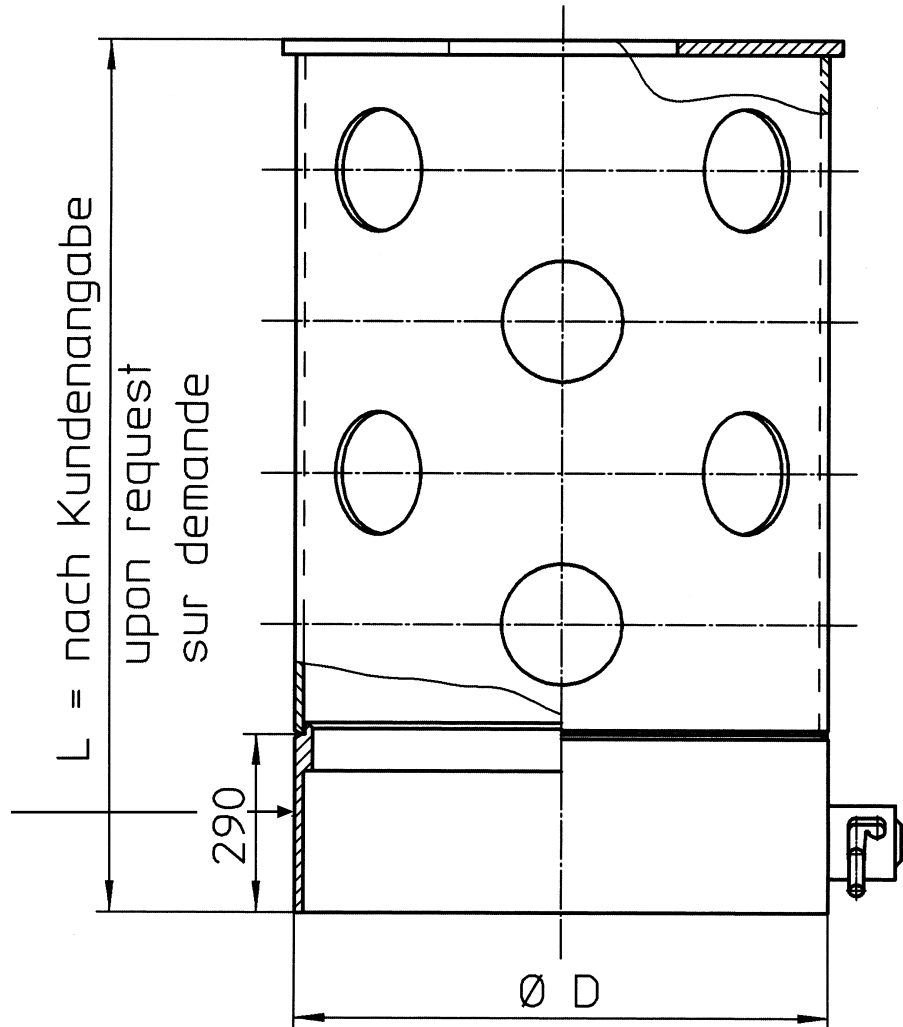
(voir prospectus „sabots“)
 livrables en état amovible avec
 raccord partiel ou en forme à souder

| D1/D2 | S1 | S2 | d | B | Z Anzahl der Längsstäbe Quantity of longitudinal bars Nombre de barres longitudinales | L | | |
|-----------|----|----|----|----|--|---------------------------|-------------------------------|-----------------------------|
| | | | | | | Nutzlänge Gewicht [kg] | Working length Weight [kg] | Longeur utile Poids [kg] |
| [mm] | | | | | | 4 m | 5 m | 6 m |
| 540/478 | 10 | 8 | 10 | 31 | 16 | 1030 | 1270 | 1510 |
| 620/558 | 10 | 8 | 10 | 31 | 18 | 1200 | 1460 | 1740 |
| 600/520 | 15 | 10 | 13 | 40 | 18 | 1560 | 1920 | 2290 |
| 620/540 | 15 | 10 | 13 | 40 | 18 | 1610 | 1990 | 2370 |
| 640/560 | 15 | 10 | 13 | 40 | 18 | 1660 | 2050 | 2440 |
| 660/580 | 15 | 10 | 13 | 40 | 18 | 1710 | 2120 | 2520 |
| 700/620 | 15 | 10 | 13 | 40 | 20 | 1830 | 2250 | 2680 |
| 710/630 | 15 | 10 | 13 | 40 | 21 | 1840 | 2280 | 2710 |
| 720/640 | 15 | 10 | 13 | 40 | 21 | 1880 | 2330 | 2780 |
| 750/670 | 15 | 10 | 13 | 40 | 22 | 1980 | 2440 | 2900 |
| 800/720 | 15 | 10 | 13 | 40 | 24 | 2120 | 2610 | 3110 |
| 880/800 | 15 | 10 | 13 | 40 | 26 | 2330 | 2870 | 3420 |
| 900/820 | 15 | 10 | 13 | 40 | 26 | 2390 | 2950 | 3500 |
| 1000/920 | 18 | 10 | 10 | 40 | 30 | 2870 | 3560 | 4240 |
| 1080/1000 | 18 | 10 | 10 | 40 | 32 | 3090 | 3830 | 4570 |
| 1180/1100 | 18 | 10 | 10 | 40 | 36 | 3400 | 4210 | 5020 |
| 1200/1120 | 18 | 10 | 10 | 40 | 36 | 3470 | 4310 | 5330 |
| 1250/1170 | 18 | 10 | 10 | 40 | 38 | 3630 | 4490 | 5450 |
| 1300/1220 | 18 | 10 | 10 | 40 | 40 | 3770 | 4660 | 5560 |
| 1500/1420 | 18 | 10 | 10 | 40 | 45 | 4380 | 5420 | 6460 |
| 1800/1720 | 18 | 10 | 10 | 40 | 55 | 5310 | 6600 | 7900 |
| 2000/1910 | 18 | 12 | 13 | 45 | 62 | 6070 | 7560 | 9060 |

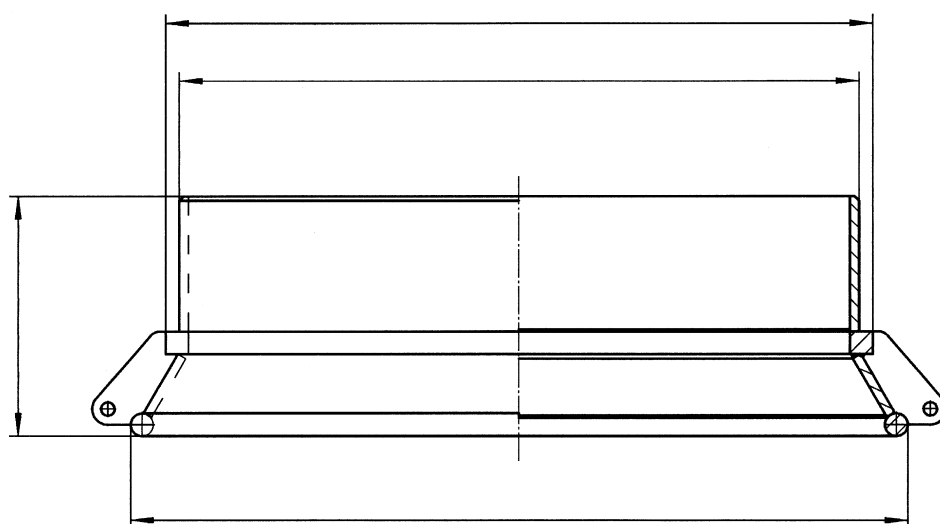
Drehteller/Druckrohr Adapter

plateau tournant, tuyau de pression, adaptateur

Verstärktes Muffenteil
mit Verriegelung
Reinforced female part
with quick locking bolts
Partie femelle renforcée
avec verrouillage rapide



| D | Nenndurchmesser Nominal diameter Diamètre nominal | Anzahl der Verriegelungen Qty of locking bolts Nombre de verrouillages |
|------|---|--|
| 546 | 540/478 | 2 |
| 626 | 620/558 | 2 |
| 606 | 600/520 | 2 |
| 626 | 620/540 | 2 |
| 646 | 640/560 | 2 |
| 666 | 660/580 | 2 |
| 706 | 700/620 | 2 |
| 716 | 710/630 | 2 |
| 726 | 720/640 | 2 |
| 756 | 750/670 | 4 |
| 806 | 800/720 | 4 |
| 886 | 880/800 | 4 |
| 906 | 900/820 | 4 |
| 1006 | 1000/920 | 4 |
| 1086 | 1080/1000 | 4 |
| 1186 | 1180/1100 | 4 |
| 1206 | 1200/1120 | 4 |
| 1256 | 1250/1170 | 4 |
| 1306 | 1300/1220 | 4 |
| 1506 | 1500/1420 | 6 |
| 1806 | 1800/1720 | 5 |
| 2006 | 2000/1910 | 5 |



Trichter

dient als Schutz für die Rohrverbindung und erleichtert das Einführen der Bohrwerkzeuge.

Casing funnel

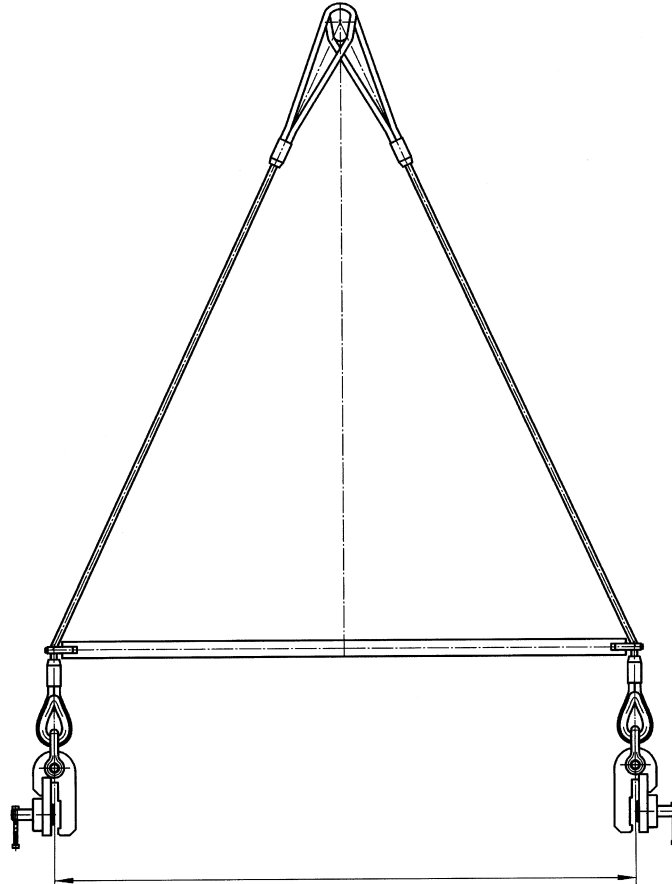
serves as protection for the casing joint and makes insertion of the drilling tools easy.

Entonnoir

sert de protection au raccord de tube et facilite l'introduction.

| D1 | H | A | Gewicht Weight Poids |
|------|------|------|----------------------------|
| [mm] | | | [kg] |
| 540 | 500 | 750 | 170 |
| 620 | | 830 | 190 |
| 600 | | 810 | 185 |
| 620 | | 830 | 190 |
| 640 | | 850 | 200 |
| 660 | | 870 | 210 |
| 700 | | 910 | 230 |
| 710 | | 920 | 240 |
| 720 | | 930 | 250 |
| 750 | | 960 | 260 |
| 800 | | 1010 | 270 |
| 880 | | 1090 | 280 |
| 900 | | 1110 | 290 |
| 1000 | | 1210 | 310 |
| 1080 | | 1290 | 330 |
| 1180 | | 1390 | 350 |
| 1200 | | 1410 | 365 |
| 1250 | | 1460 | 390 |
| 1300 | | 1510 | 410 |
| 1500 | | 1710 | 450 |
| 1800 | 2010 | 540 | |
| 2000 | 2210 | 600 | |

Bohrrohrgehänge
Lifting device
Suspension



Fernauslöser
Quick release attachments
Declechement à distance

Bohrrohrgehänge

ermöglicht das schnelle Aufsetzen bzw. Abschlagen der Bohrröhre ohne Beschädigung der Konusringe.

Lifting device

enables a quick assembly and dismantling of the casings without damaging the conical rings.

Suspension

permet la pose respectivement la dépose rapide des tubes sans pour autant détériorer les anneaux coniques.

| D | Gewicht Weight Poids | Traglast Charge Capacity |
|------|----------------------------|--------------------------------|
| [mm] | [kg] | [KN] |
| 540 | 90 | 100 |
| 600 | 100 | |
| 620 | 100 | |
| 640 | 100 | |
| 660 | 100 | |
| 700 | 100 | |
| 710 | 100 | |
| 720 | 100 | |
| 750 | 100 | |
| 800 | 102 | |
| 880 | 102 | |
| 900 | 102 | |
| 1000 | 142 | |
| 1080 | 142 | |
| 1180 | 145 | |
| 1200 | 145 | |
| 1250 | 145 | |
| 1300 | 145 | |
| 1500 | 147 | |
| 1800 | 150 | |
| 2000 | 172 | 200 |